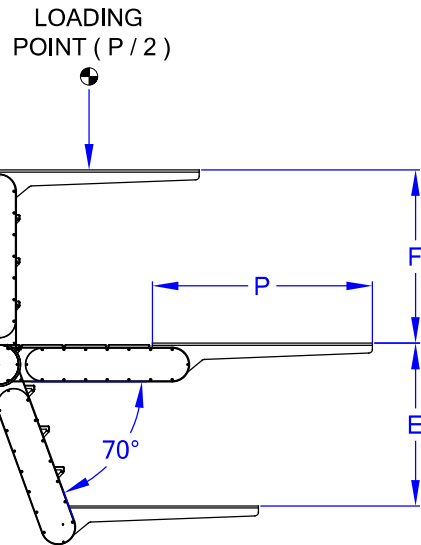
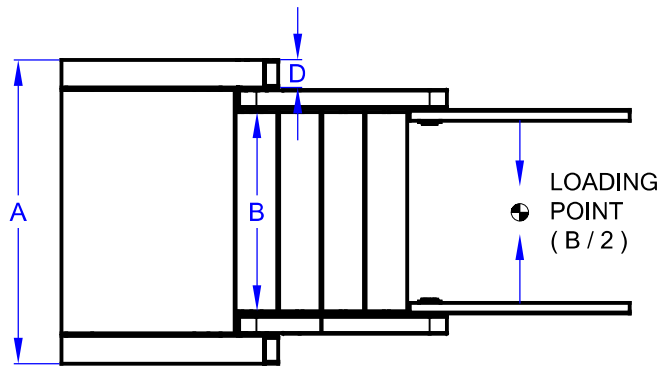
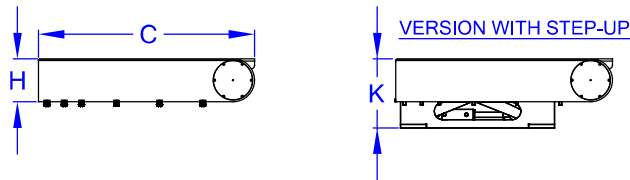


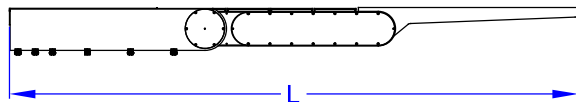
This drawing is the property of Itamare S.r.l. The company reserves the right to modify it at any time for technical or commercial reasons.



CLOSED POSITION



EXTENDED POSITION

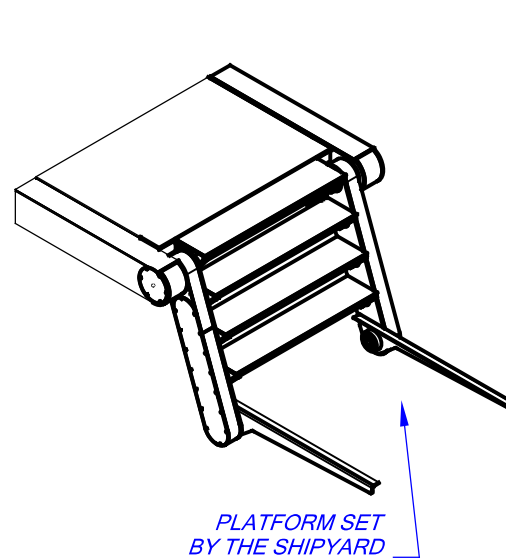


STEPS No.	3	4	5	6
Lifting Capacity*	250 Kg / 550 Lbs	400 Kg / 882 Lbs	600 Kg / 1320 Lbs	800 Kg / 1763 Lbs
	(mm / in)	(mm / in)	(mm / in)	(mm / in)
A	1000 / 39.37	1774 / 69.055	1774 / 69.055	2120 / 83.465
B	390 / 15.354	1150 / 45.276	1150 / 45.276	1404 / 55.276
C	1045 / 41.141	1290 / 50.788	1520 / 59.842	1705 / 67.126
D	150 / 5.9	160 / 6.3	180 / 7.09	200 / 7.874
E	670 / 26.378	940 / 37	1170 / 46.06	1380 / 54.33
F	758 / 29.842	1005 / 39.667	1255 / 49.409	1505 / 59.252
H	250 / 9.842	260 / 10.236	300 / 11.811	340 / 13.386
K**	400 / 15.748	410 / 16.142	450 / 17.716	490 / 19.291
L	2700 / 106.3	3286 / 129.370	4012 / 157.953	4700 / 185.04
P	1025 / 41.172	1270 / 50.000	1500 / 59.055	1685 / 66.339

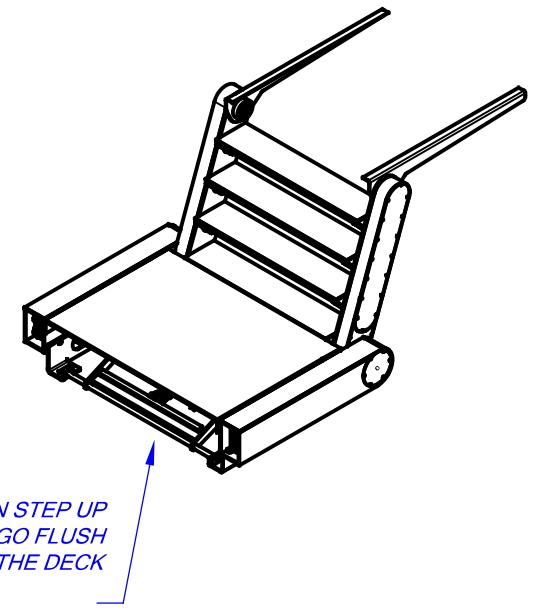
*on loading position indicated

**option: step-up system

custom solutions available on request



PLATFORM SET BY THE SHIPYARD



OPTION STEP UP TO GO FLUSH WITH THE DECK

SEAFLY
MULTIFUNCTION LADDER

ITAMARE
Easy Life on Board